

STORAGE HEATER TOWEL RAIL FITTING INSTRUCTIONS

CONTENTS

1 x Towel Rail
2 x No. 6 x 3/8" Self Tapping Screws (Black)

TOOLS REQUIRED

No. 2 Pozi-drive Screwdriver

INSTRUCTIONS FOR USE

IMPORTANT

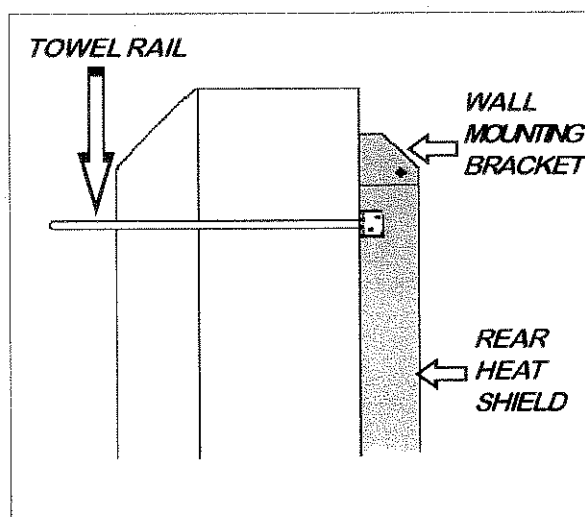
The towel rail is suitable for hanging 1 bath towel, size approximately 1270mm (50") x 700mm (27½"), folded twice, or a smaller towel.

WARNING - BEFORE ATTEMPTING TO FIT THE TOWEL RAIL, THE HEATER MUST BE ISOLATED FROM THE ELECTRICAL SUPPLY.

UNDER NO CIRCUMSTANCES SHOULD THE AIR OUTLET GRILLE BE OBSTRUCTED BY A DRAPED TOWEL. TOWELS SHOULD NEVER BE FOLDED IN SUCH A WAY AS TO WEDGE FABRIC TIGHTLY BETWEEN THE TOWEL RAIL AND THE HEATER BODY. Obstruction of the heater grille could cause scorching of fabrics, overheating and operation of thermal cutouts.

PROCEDURE FOR FITTING TOWEL RAIL TO HEATER

1. Heater must be supported during this procedure to ensure it does not tilt forward.
2. Remove the top screw from each side of the rear heat shield.
NOTE: ENSURE THE WALL MOUNTING BRACKET SCREW IS NOT REMOVED.
3. Slip towel rail over heater, springing the arms outward to clear wall mounting bracket and screws.
4. Align towel rail with holes provided in rear heat shield below wall mounting bracket.
5. Secure with screws provided.
6. Reconnect the electrical supply.



CLEANING When the heater is not in use the towel rail can be cleaned by wiping with a soft damp cloth. Do not use abrasive cleaning powders.