

Do's and Don'ts.

- Do read all the instruction leaflet before commencing installation.
- Do install each fan with a double pole-isolating switch.
- Do make sure the mains electricity supply is switched off before attempting to make electrical connections or carry out any maintenance or cleaning.

Guarantee

Customers outside UK - see international below.

- UK: The fan is guaranteed against defects for 3 years from date of purchase.
- Please keep your purchase receipt.
- If you have any problems, contact Xpelair's Head Office at address shown below.

Technical advice and service

Customers outside UK - see international below.

- UK: Xpelair have a comprehensive range of services including:
- Free technical advice help-desk from Engineers on all aspects of ventilation.
- Free design service, quotations and site surveys.
- Service and maintenance contracts to suit all requirements.

Please ask for details:

- By telephone on Techline: +44(0) 8709 000430
- By fax on Techfax: +44(0) 8709 000530
- At the address below

International

Guarantee - Contact your local distributor or Xpelair direct for details.
Technical advice and service - Contact your local Xpelair distributor.



Xvent multipoint
ventilation unit

Xvent 275



Applied Energy Products Ltd
Morley Way
Peterborough
PE2 9JJ

t 01733 456789
f 01733 310606
www.applied-energy.com

Xpelair is a registered trademark of Applied Energy Products Limited.
Applied Energy Products reserve the right to alter product specifications
or appearance without prior notice. All finishes and diagrams in this
booklet are as accurate as printing processes allow.

Leaflet Part No. 22750AA (Revision B)

Xpelair Multipoint ventilation unit

Installation and Operating Instructions

PLEASE LEAVE THIS LEAFLET WITH THE FAN,
OR THE BENEFIT OF THE USER

Installing the fan

These products are intended for connection to fixed wiring. Check that the electrical rating shown in the products matches the mains supply.

WARNING: THIS PRODUCT IS FOR CONNECTION TO 1 PHASE SUPPLY ONLY, DO NOT CONNECT TO 3 PHASE SUPPLY.
WARNING: THIS APPLIANCE MUST BE EARTHED.

All installations must be supervised by a qualified electrician. Installation and wiring must conform to current IEE regulations (UK), local or appropriate regulations in other countries). If there is damage to the fitted lead this must be replaced by the manufacturer or service agent. If you have any queries before installing these products or after they are installed, call the Xpelair Technical Hotline +44 (0) 8709 000430. Our engineers are there to help during normal office hours (UK only) and may be faxed at all other times on +44 (0) 8709 000530. Customers outside the UK please contact your local Xpelair distributor, details of which are available from the UK office.

Description

XVENT 275

- 3 speed when used with an appropriate controller (not supplied).
- Extract only.
- Suitable for continuous operation.

What the installer will need

- A means for disconnection must be incorporated in the fixed wiring in accordance with the wiring rules.
- Speed controller.
- Suitably rated cable.
- Ducting long enough to connect from the position of the air intake positions of the air outlet via the fan.
- Ducting accessories, including internal and external grilles and fasteners.
- For flexible ducting, you will need worm drive clips (available from Xpelair) to attach the ducting to the fan inlets and outlet.
- If installing in a position where condensation is likely to run back towards the fan, you will need a suitable condensation trap.

Where to locate it

Position of air intake

- As far as possible from and opposite to the main source of air replacement to ensure airflow across the room (eg, opposite an internal doorway).
- Near the source of steam or odours.
- Not where ambient temperatures are likely to exceed 50°C, or above a cooker hob or eye level grill.
- If installing in a room containing a fuel burning device, it is the installer's responsibility to ensure that there is enough replacement air to prevent fumes being drawn down the flue when the fan is operating up to maximum extract. Refer to Building Regulations for specific requirements.
- Exhaust air must not be discharged into a flue used for exhausting fumes from appliances supplied with energy other than electric. Requirements of all authorities concerned must be observed for exhaust air discharge.
- When installed for use in possible chemical corrosive atmospheres, consult our Technical Service Department. (For overseas markets contact your local Xpelair Distributor).
- The inlet grilles should be situated at least 0.5m distance from the discharge outlet of a flued heating or cooking appliance.

Position of the fan

- The fan can be mounted to a suitably strong wall or roof member.

Position of the air outlet

- At least 0.5m away from open door or window, or the inlet of another ventilation device.

Installing the ducting

- Detach the appropriate inlet covers after removing the fixing screws.
Note: do not detach cover from any inlet not being used.
- Install the ducting to connect the fan to the air intakes and to the outlet. If the ducting is suspended, ensure that it is adequately supported.
- Fit intake and outlet grilles as required.
- If installing in a position where condensation is likely to run back towards the fan, install a condensation trap as near to the fan as possible.

Mounting the fan

- Mount the fan, using appropriate fasteners through the mounting holes provided. For fan dimensions, see Fig. A.
- Attach the ducting over the inlets and outlet and secure it with worm drive clips.

Connecting the fan

- Switch off the mains electrical supply and remove fuses.
 - Wire the fan as shown in fig. B.
 - Connect the cable from the isolating switch to the electrical supply wiring.
 - Refit fuse before turning on the electricity supply.
- Note: For fixed wiring circuits, the protective fuse for the appliance must not exceed 5A.

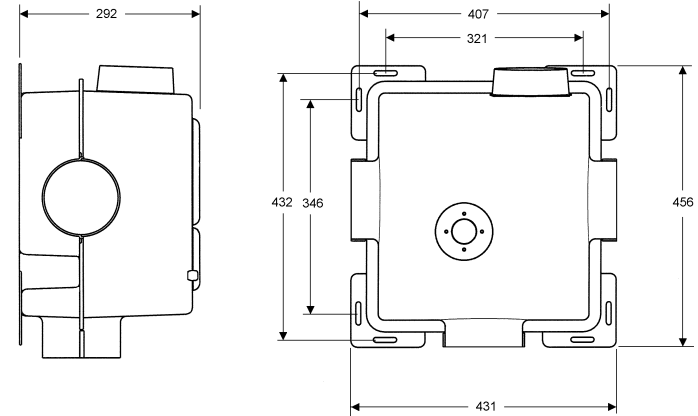
Connecting the fan

- The fan can be operated using the controller (not supplied). The fan has 3 speed settings: High(H), Medium (M) and Low (L).

Cleaning

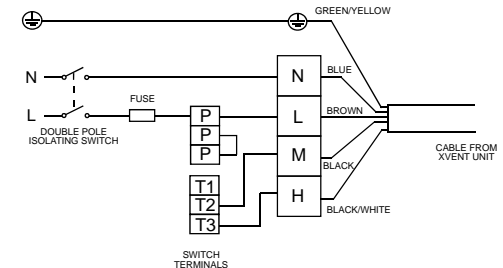
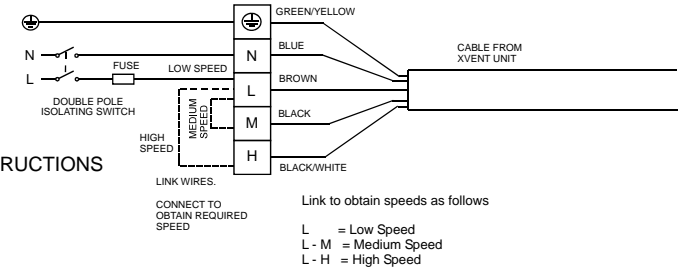
- Before cleaning isolate completely from the mains supply.
- Wipe the inlet covers carefully with a damp cloth.
- Dry thoroughly.
- Never use solvents to clean. Apart from cleaning, no other maintenance is required.**

A



B

XVENT 275 WIRING INSTRUCTIONS



XVENT 275 WIRED THROUGH THE THREE SPEED SWITCH REF.91457AW