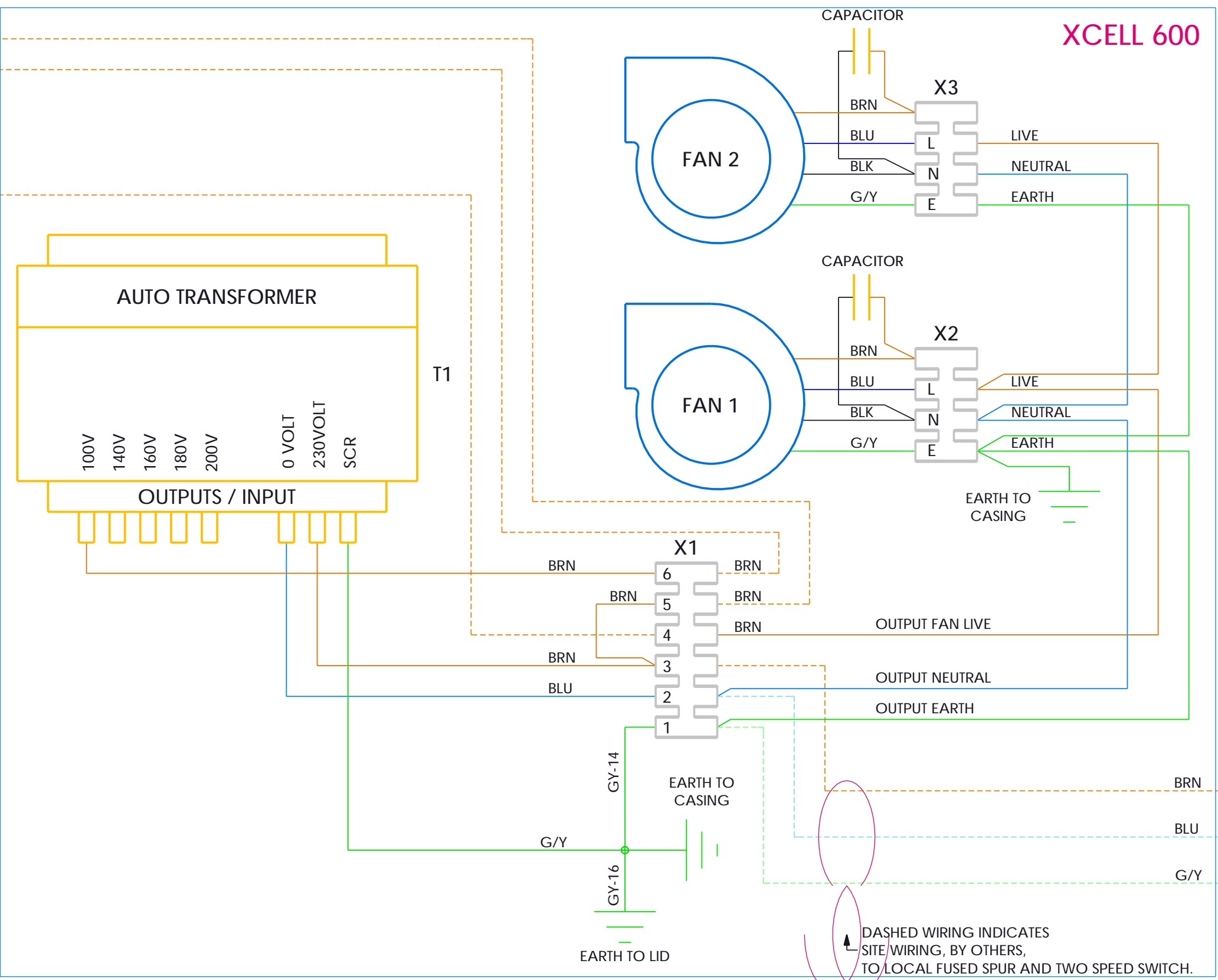
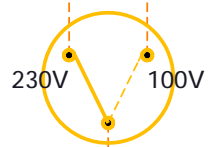


**STANDARD**

**XCELL 600**



**COPYRIGHT © 2002 MODULAIR LIMITED.**  
 THIS DESIGN AND DRAWING IS EXCLUSIVE PROPERTY OF MODULAIR LIMITED AND IS SUBMITTED AS CONFIDENTIAL INFORMATION IN CONNECTION WITH YOUR ENQUIRY AND MUST NOT BE USED FOR ANY OTHER PURPOSES.  
 IT MUST NEITHER BE COPIED NOR LOANED WITHOUT WRITTEN PERMISSION UPON REQUEST IT MUST BE RETURNED IMMEDIATELY.



**DO NOT SCALE**

ALL DIMENSIONS IN MILLIMETRES  
 TOLERANCES UNLESS SPECIFIED:-  
 ±0.5 ON NOMINAL DIMENSIONS  
 ±0.2 ON 1 DECIMAL PLACE DIMENSIONS  
 ±0.1 ON 2 DECIMAL PLACE DIMENSIONS  
 ±0.1 ON HOLE DIAMETERS  
 ETC  
 ±1.0 DEGREE ON ANGULAR

DRN: T.M.S.	DATE: 26-08-06	MATL:	ISSUE NO.
CHK:	DATE:	FIN:	DATE:
APP:	DATE:	SPEC:	CN NO.
LOG REF NO.	MADE FROM NO.	TITLE: XCELL 600 WIRING DIAGRAM - 2 WAY SWITCH	DRG NO.
		SCALE: N.T.S.	DEV DRG No.

modulair  
by Xpelair

A2