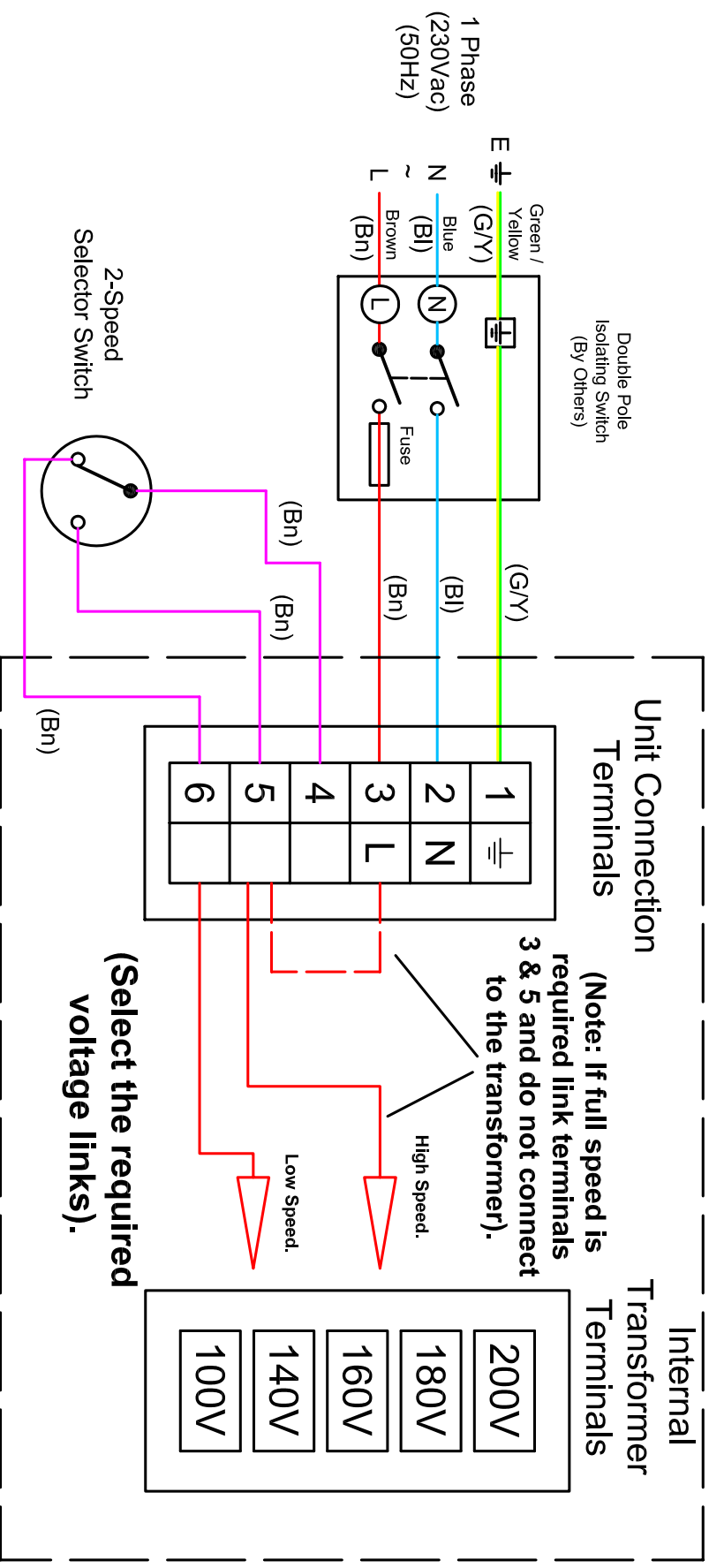


XCELL 150 & 150V Wiring DETAILS.



XCELL 150 & 150V Internal Terminals

NOTE:

1. Wiring to be in accordance with current **EE** regulations BS7671, or appropriate Standards in your Country.
2. Refer also to the Fitting & Wiring Instructions for the fans and controllers.